

# Service Manual

Notebook Computer

CF-27

---



---

**Supplement-20**


---



---

This is the Service Manual for  
The following areas.

M ...for U.S.A. and Canada

E ...for U.K.

G ...for Germany

F ...for France

S ...for Sweden

T ...for Italy



## Applied Model:

### CF-27RJxxAAx

This Supplement is issued for replacing LCD panel from Hoshiden's LCD to Toshiba's LCD due to discontinuation of a Hoshiden's LCD panel for this model. The Toshiba's LCD panel is supplied as spare parts for this model from now on.

Note:

1. The spare parts is available as a Kit Parts "P/N: DFWV99B0077", and the DFWV99B0077 is the whole parts Kit for replacing LCD panel.
2. It is necessary to change the some component parts on a Main PCB simultaneously, when replacing LCD panel from Hoshiden's LCD to Toshiba's LCD. The Component Parts Kit for the Main PCB is "P/N: DFWV99A0055" included in the whole parts Kit "DFWV99B0077".

#### WARNING

This service information is designed for experienced repair technicians only and is not designed for use by the general public. It does not contain warnings or cautions to advise non-technical individuals of potential dangers in attempting to service a product. Products powered by electricity should be serviced or repaired only by experienced professional technicians. Any attempt to service or repair the product or products dealt with in this service information by anyone else could result in serious injury or death.

# Panasonic®

© 2001 Matsushita Electric Industrial Co., Ltd. All rights reserved. Unauthorized copying and distribution is a violation of law.

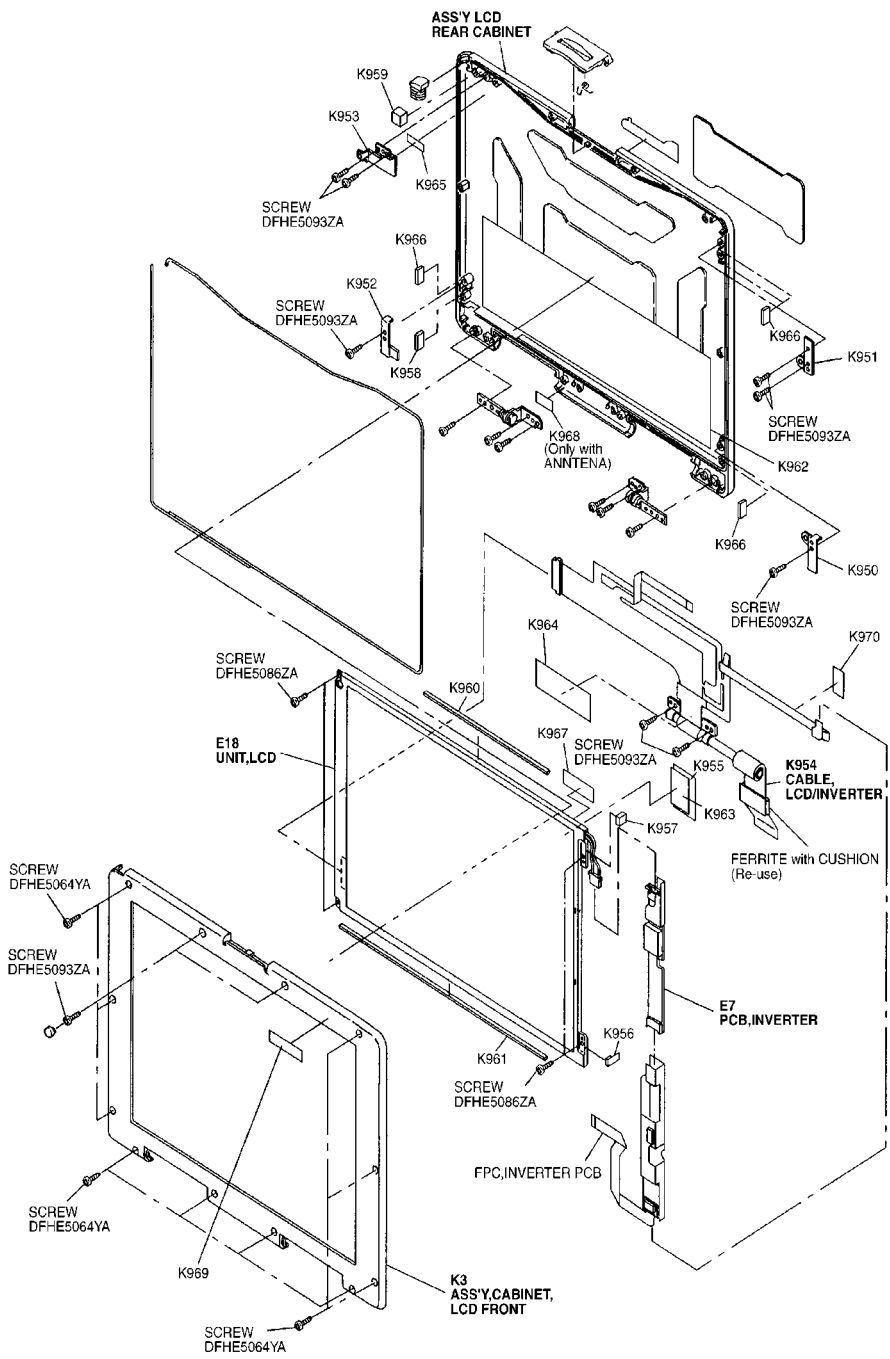
# Replacement Parts List

## Note: Important Safety Notice

Components identified by  $\Delta$  mark have special characteristics important for safety. When replacing any of these components, use only manufacturer's specified parts.

REF. NO. and AREA	PART NO.		DESCRIPTION	Q'TY
	ORIGINAL	NEW		
	-----	<b>DFWV99B0077</b>	<b>KIT, LCD SERVICE PARTS</b>	1
E 7 $\Delta$	ECXF6314D	-----	PCB, INVERTER	1->0
E 7 $\Delta$	-----	<b>ECXF6314G</b>	PCB, INVERTER	0->1
E 18	DL3DE0137AAA	-----	UNIT, LCD	1->0
E 18	-----	<b>DL3DE0144CAA</b>	UNIT, LCD	0->1
K 3	DFWV80A0233	-----	ASS'Y, CABINET, LCD FRONT	1->0
K 3	-----	<b>DFWV80A0251</b>	ASS'Y, CABINET, LCD FRONT	0->1
	-----	<b>DFWV99A0055</b>	<b>KIT, ELECTRIC PARTS</b>	1
C 512 514 515	-----	<b>ECUV1C104ZFV</b>	CAPACITOR, 16V, 0.1 $\mu$ F	0->3
C 513	-----	<b>DCUJ1A105ZFL</b>	CAPACITOR, 10V, 1 $\mu$ F	0->1
C 516	-----	<b>DCUE1A106ZFL</b>	CAPACITOR, 10V, 10 $\mu$ F	0->1
IC 78	-----	<b>DAC63M63AX3H</b>	IC, LVDS	0->1
L 93 94	-----	<b>DDB5Z005-L</b>	FERRITE BEAD	0->2
L118 119 121 123 124 126 128 129	DDB5Z021F-Y	-----	FERRITE BEAD	8->0
	-----	<b>DFWV99A0056</b>	<b>KIT, MECHANICAL/CABLE PARTS</b>	1
K 950	-----	<b>DFMD3078ZA</b>	ANGLE A, LCD	0->1
K 951	-----	<b>DFMD3079ZA</b>	ANGLE B, LCD	0->1
K 952	-----	<b>DFMD3080ZA</b>	ANGLE C, LCD	0->1
K 953	-----	<b>DFMD3081YA</b>	ANGLE D, LCD	0->1
K 954	-----	<b>DLUP0137A01G</b>	CABLE, LCD/INVERTER	0->1
K 955	-----	<b>DFMX0788ZA</b>	SHEET, INSULATION, LCD	0->1
K 956	-----	<b>DFHG1353ZA</b>	DAMPER, A	0->1
K 957	-----	<b>DFHG1354ZA</b>	DAMPER, B	0->1
K 958	-----	<b>DFHG1355ZA</b>	DAMPER, C	0->1
K 959	-----	<b>DFHG425XA</b>	DAMPER, D	0->1
K 960	-----	<b>DFHG1357ZA</b>	DAMPER, TOP	0->1
K 961	-----	<b>DFHG1358ZA</b>	DAMPER, BOTTOM	0->1
K 962	-----	<b>DFHG1359ZA</b>	DAMPER, REAR	0->1
K 963	-----	<b>DFHE0354ZA</b>	CONDUCTIVE SHEET, LCD	0->1
K 964	-----	<b>DFHE0365ZA</b>	CONDUCTIVE SHEET, FPC	0->1
K 965	-----	<b>DFHP7089YA</b>	TAPE, ANGLE	0->1
K 966	-----	<b>DFHR7778ZA</b>	SPACER, ANGLE	0->4
K 967	-----	<b>DFHR7813ZA</b>	SHEET, CABLE	0->1
K 968	-----	<b>DFHR1059YA</b>	SHEET, ANTENNA CABLE	0->1
K 969	-----	<b>DFQT9666ZA</b>	SHEET, TOUGHBOOK	0->1
K 970	-----	<b>DFMX0383ZA</b>	SHEET	0->1

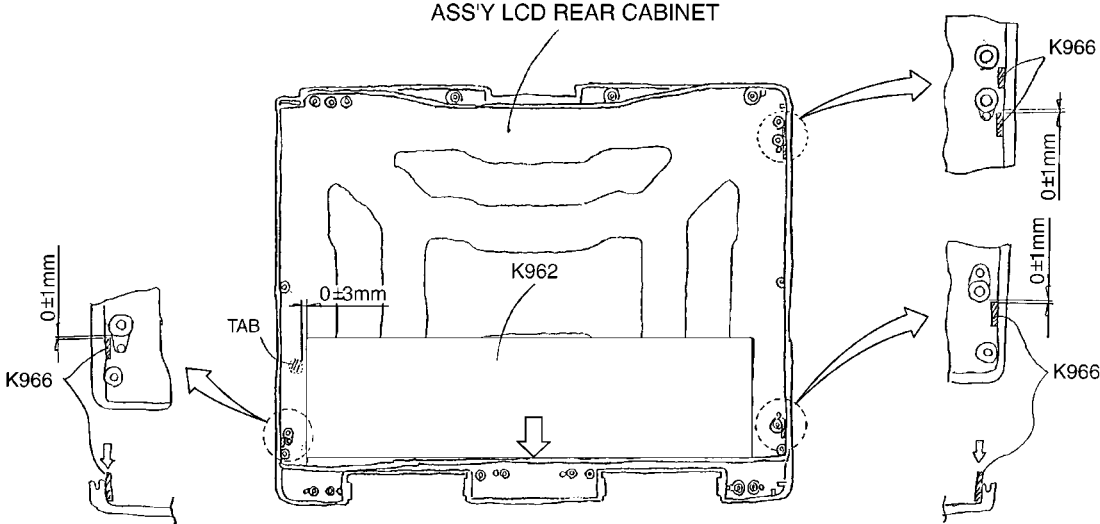
# Exploded View



# Preparation for LCD Rear Cabinet

Note:

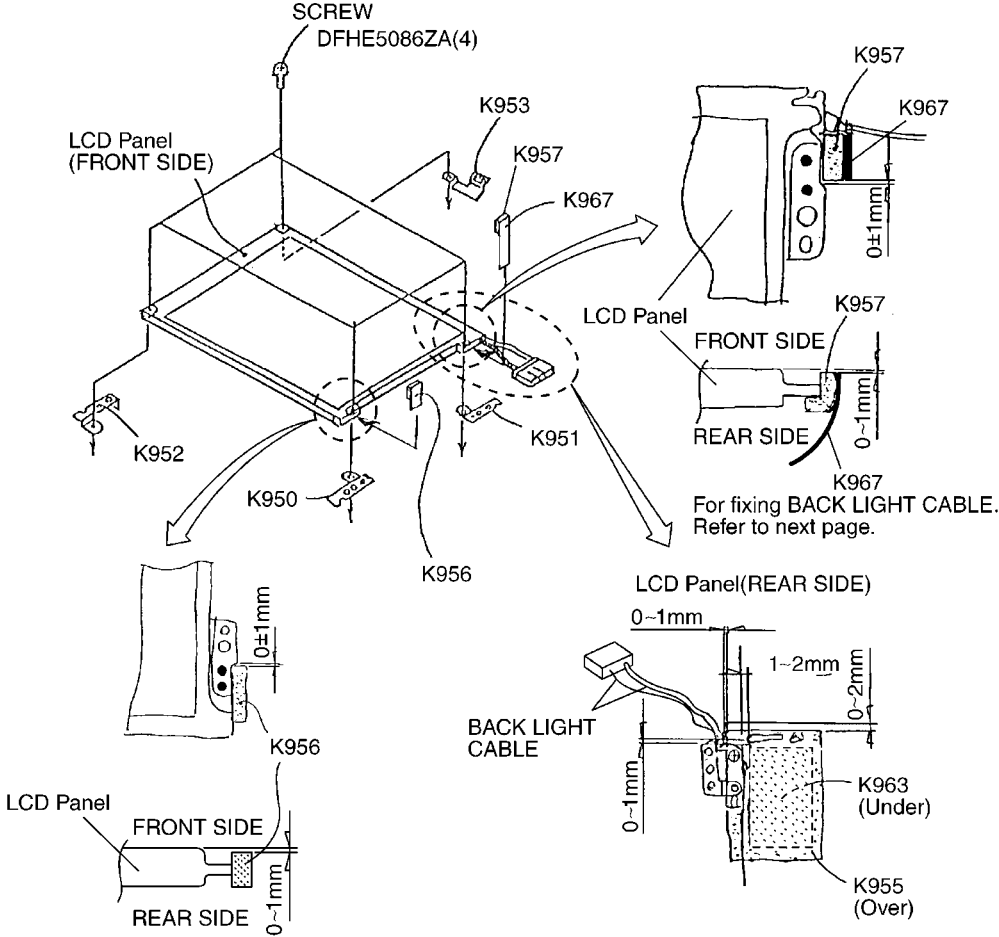
The parts that aren't included in the whole parts Kit "DFWV99B0077" are a re-use.



# Preparation for LCD Panel (1)

Note:

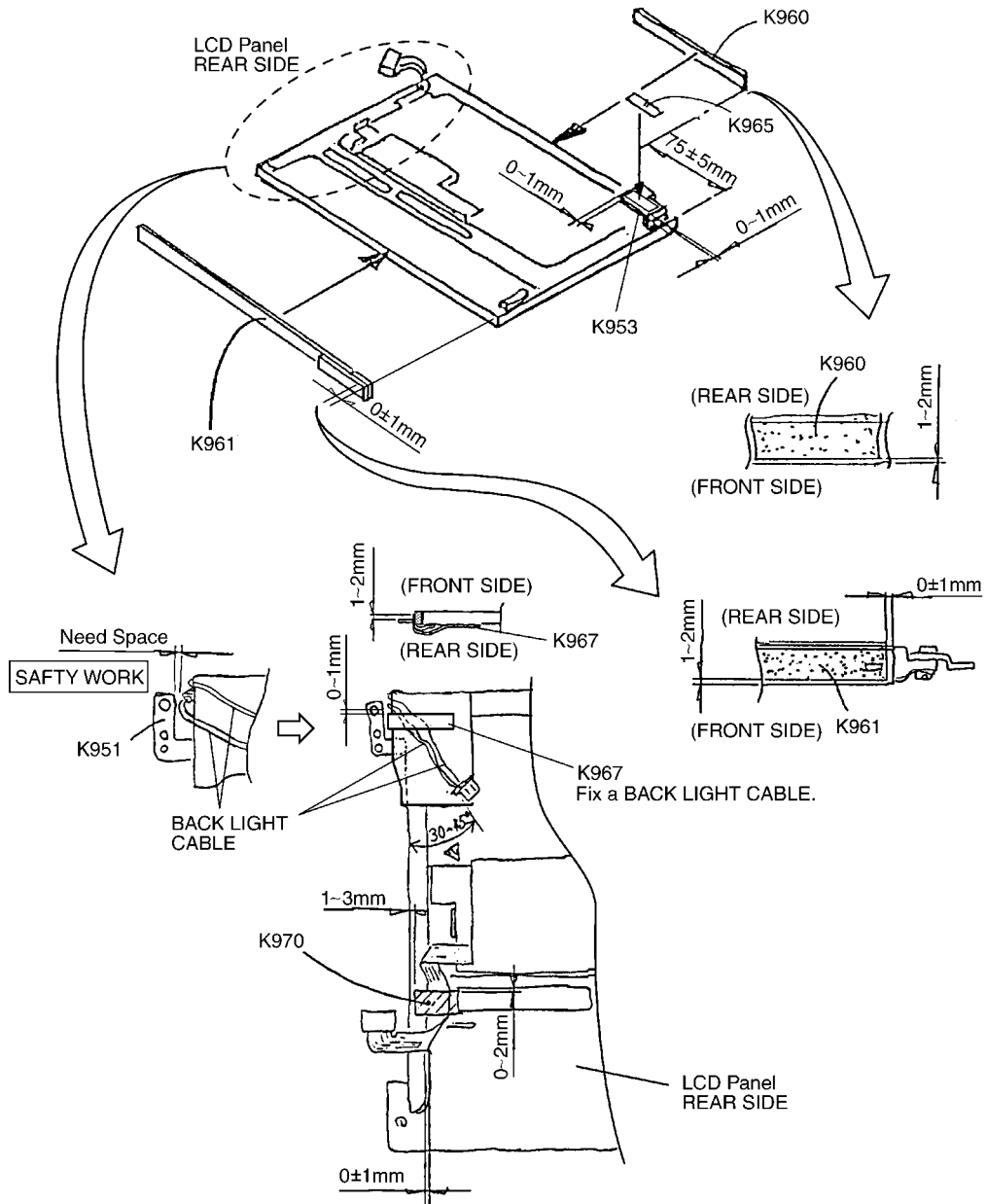
The parts that aren't included in the whole parts Kit "DFWV99B0077" are a re-use.



# Preparation for LCD Panel (2)

Note:

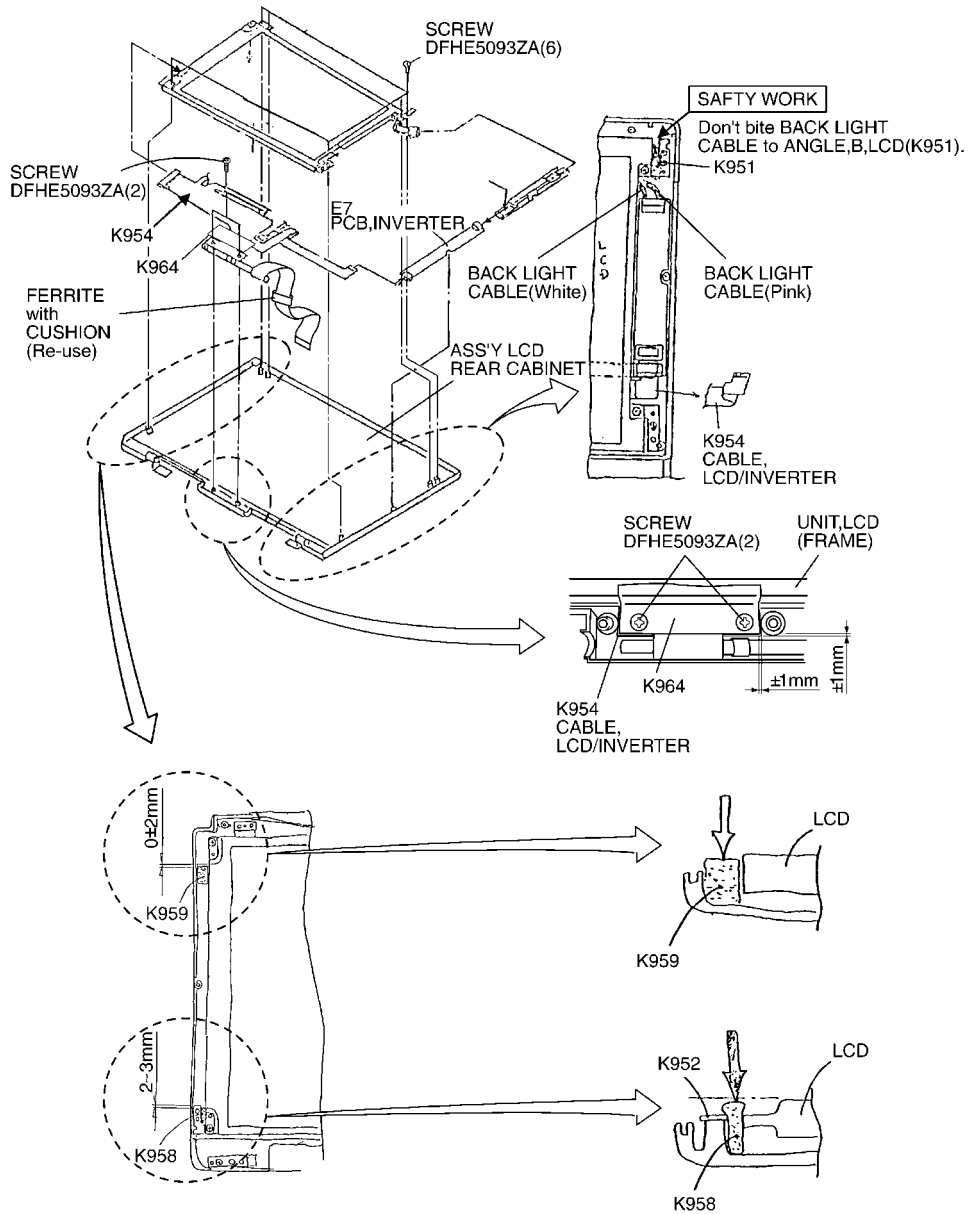
The parts that aren't included in the whole parts Kit "DFWV99B0077" are a re-use.



# Assembly for LCD Unit

Note:

The parts that aren't included in the whole parts Kit "DFWV99B0077" are a re-use.



# Change Parts for Main PCB

Delete and Add the component parts on Main PCB as shown in the figure below.

