

# Service Manual

Notebook Computer

CF-27

---

**Supplement-19**


---



This is the Service Manual for the following areas.

- M** ... for U.S.A. and Canada
- E** ... for U.K.
- G** ... for Germany
- F** ... for France
- S** ... for Sweden
- T** ... for Italy

## Parts Comparison Table

(CF-27EB6GQCM)

REF. NO. and AREA	PART NO.		DESCRIPTION	Q'TY
	ORIGINAL	NEW		
<b>Mechanical Parts</b>				
K142	DFHG1362ZA	—————	DAMPER	1 → 0
K144	DFHM0207ZA	—————	EARTH SHEET	1 → 0
K145	DFHE0239ZA	—————	CONDUCTIVE CUSHION	1 → 0
K146	DFHE0245ZA	—————	CONDUCTIVE CUSHION	1 → 0
K148	DFHP7073ZB	—————	DOUBLE SIDED TAPE	0 → 1
K149	DFMC0514ZA	—————	COPPER CONDUCTIVE TAPE	1 → 0
K150	DFMC0488ZA	—————	CONDUCTIVE PLATE	1 → 0
K151	DFFE0009YA	—————	ANTENNA	1 → 0
K151	—————	<b>DL3MA0144CAA</b>	ASS'Y, ANTENNA	0 → 1
K183	—————	<b>DFHR5780ZA</b>	HOLDER, ANTENNA	0 → 1
K184	—————	<b>DFHG1133ZA</b>	PACKING, CABINET, REAR, LCD	0 → 1
K185	—————	<b>DFHE0376ZA</b>	GASKET	0 → 2
K186	—————	<b>DFHR5797YA</b>	SHEET, CABLE	0 → 1
K230	DFFE0016YA	<b>N1AAB100002</b>	ELEMENT, ANTENNA	1
K231	—————	<b>XSB26+4FZ</b>	SCREW	0 → 1

### WARNING

This service information is designed for experienced repair technicians only and is not designed for use by the general public. It does not contain warnings or cautions to advise non-technical individuals of potential dangers in attempting to service a product. Products powered by electricity should be serviced or repaired only by experienced professional technicians. Any attempt to service or repair the product or products dealt with in this service information by anyone else could result in serious injury or death.

# Panasonic®

© 2001 Matsushita Electric Industrial Co., Ltd.  
All rights reserved. Unauthorized copying and distribution is a violation of law.

**(CF-27EB6GQCM)**

REF. NO. and AREA	PART NO.		DESCRIPTION	Q'TY
	ORIGINAL	NEW		
<b>Mechanical Parts</b>				
K2	DFKF8125YA-0	<b>DFKF8125VC-0</b>	ASS'Y,CABINET,BOTTOM	1

Note:DFKF8125VC-0 is the part number of the Bottom Cabinet Ass'y with the slide door of the FDD(MP) Cover.

**(CF-27EJ6K3AE)**

REF. NO. and AREA	PART NO.		DESCRIPTION	Q'TY
	ORIGINAL	NEW		
<b>Mechanical Parts</b>				
K2	DFKF8125YA-0	<b>DFKF8125WB-0</b>	ASS'Y,CABINET,BOTTOM	1

**(CF-27EA6GCAx, CF-27EB6GCAx, CF-27EJ6GCAx, CF-27EJ6K1AE, CF-27EB6K1AE, CF-27EJ6K2AE)**

REF. NO. and AREA	PART NO.		DESCRIPTION	Q'TY
	ORIGINAL	NEW		
<b>Mechanical Parts</b>				
K2	DFWV80C0407	<b>DFKF8125ZB-0</b>	ASS'Y,CABINET,BOTTOM	1

**(CF-27EB6GDAM)**

REF. NO. and AREA	PART NO.		DESCRIPTION	Q'TY
	ORIGINAL	NEW		
<b>Mechanical Parts</b>				
K2	DFKF8125YA-0	<b>DFKF8125YB-0</b>	ASS'Y,CABINET,BOTTOM	1

**(CF-27FCCKFAM,CF-27FCCGGAx)**

REF. NO. and AREA	PART NO.		DESCRIPTION	Q'TY
	ORIGINAL	NEW		
<b>Mechanical Parts</b>				
K2	DFKF8125XA-0	<b>DFKF8125TA-0</b>	ASS'Y,CABINET,BOTTOM	1

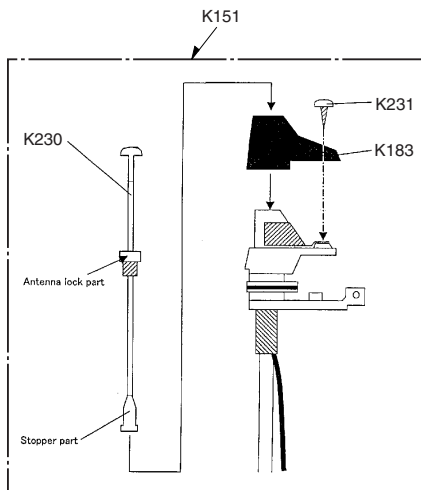
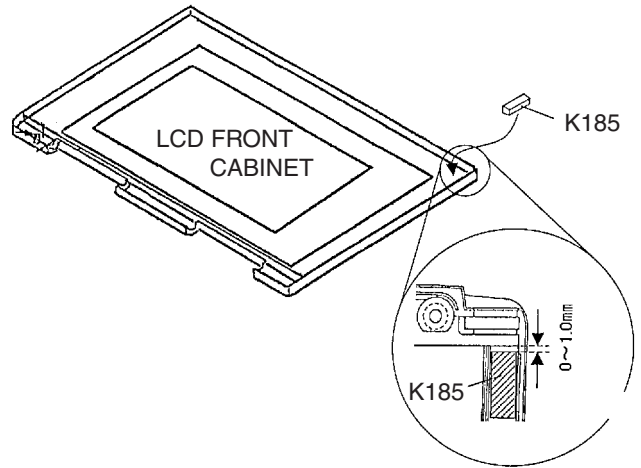
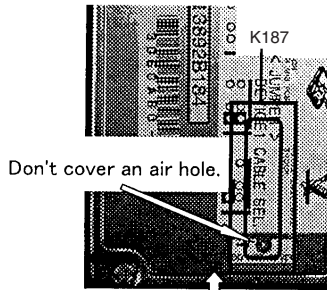
(CF-27FCxxxxx)

REF. NO. and AREA	PART NO.		DESCRIPTION	Q'TY
	ORIGINAL	NEW		
<b>Main Block Unit</b>				
E13	⚠ DFJH103ZA-F	N3CABND00007	HDD	1
<b>Mechanical parts</b>				
EART		DFHR7871ZA	SPACER, HDD	0 → 1

(CF-27LBxxxxx)

REF. NO. and AREA	PART NO.		DESCRIPTION	Q'TY
	ORIGINAL	NEW		
<b>Main Block Unit</b>				
E13	⚠ N3CABND00003	N3CABND00002	HDD	1
<b>Mechanical parts</b>				
K187		DFHR7871ZA	SPACER, HDD	0 → 1

## Exploded Views



<The movement check of ①>  
 extension fee of the stopper part should be the following dimension.  
 • A stopper part is to take action smoothly between the tubes.

