

Service Manual

Notebook Computer

CF-27

Supplement-18

TOUGHBOOK
27

Please file and use this manual together with the following Service Manuals.
 CF-27 Service Manual (Order No. CPD9809043C0) for original CF-27 models.
 CF-27 Simplified Service Manual
 (CPD9812059A0)/(CPD9902008A0)/(CPD9905024A0)/
 (CPD9906030A0)/(CPD9906034A0)/(CPD0001004A1)/
 (CPD0002009A2)/(CPD0002029A0)/(CPD0002030A2)/
 (CPD0002031A1)
 CF-27 Supplement Service Manual
 -1(CPD9811056S0)/ -2(CPD9811058S0)/ -3(CPD9902007S0)/
 -4(CPD9906031S0)/ -5(CPD9907045S0)/ -6(CPD9909074S0)/
 -7(CPD9909075S0)/ -8(CPD9911100S0)/ -9(CPD0001001S0)/
 -10(CPD0002028S0)/ -11(CPD0004040S0)/-12(CPD0004041S0)/
 -13(CPD0004055S0)/ -14(CPD0005001S0)/-15(CPD0005007S0)/
 -16(CPD0006005S0)/ -17(CPD0007002S0)

This is the Service Manual for the following areas.

- M** ... for U.S.A. and Canada
E ... for U.K.
G ... for Germany
F ... for France
S ... for Sweden
T ... for Italy

Change

Parts Comparison Table

(CF-27Rx48xxx, CF-27Ex6GCAx, CF-27EJ6K2AE, CF-27Ex6K1AE)

| REF. NO. and AREA | PART NO. | | DESCRIPTION | Q'TY |
|-------------------------|-------------|--------------------|--------------------------------|------|
| | ORIGINAL | NEW | | |
| Mechanical Parts | | | | |
| K10 | DFWV82A0114 | DFWV82A0118 | ASS'Y, COVER, LCD/INVERTER FPC | 1 |

Parts Comparison Table

(CF-27EB6GDAM, CF-27EB6GQCM, CF-27FCCKFAM, CF-27EJ6K3AE)

| REF. NO. and AREA | PART NO. | | DESCRIPTION | Q'TY |
|---------------------------|--------------|---------------------|-------------------------------|------|
| | ORIGINAL | NEW | | |
| Internal Modem PCB | | | | |
| R104 | ERJ3GEY0R00V | ERJ3GEYJ223V | RESISTOR, 1/16W, 22K Ω | 1 |

WARNING

This service information is designed for experienced repair technicians only and is not designed for use by the general public. It does not contain warnings or cautions to advise non-technical individuals of potential dangers in attempting to service a product. Products powered by electricity should be serviced or repaired only by experienced professional technicians. Any attempt to service or repair the product or products dealt with in this service information by anyone else could result in serious injury or death.

Panasonic[®]

© 2000 Matsushita Electric Industrial Co., Ltd.
 All rights reserved. Unauthorized copying and distribution is a violation of law.

Parts Comparison Table

(CF-27EB6GQCM)

| REF. NO. and AREA | PART NO. | | DESCRIPTION | Q'TY |
|--------------------------------------------------------------------------------------|-------------|---------------------|-----------------|------|
| | ORIGINAL | NEW | | |
| Main Block Unit | | | | |
| E36 | DFWP0129ZA | DFWP0129ZB | WIRELESS MODULE | 1 |
| Accessories | | | | |
| A5  | CF-AA1639M7 | CF-AA1639AM1 | AC ADAPTER | 1 |

Parts Comparison Table

(CF-27EB6GDAM, CF-27EB6GQCM)

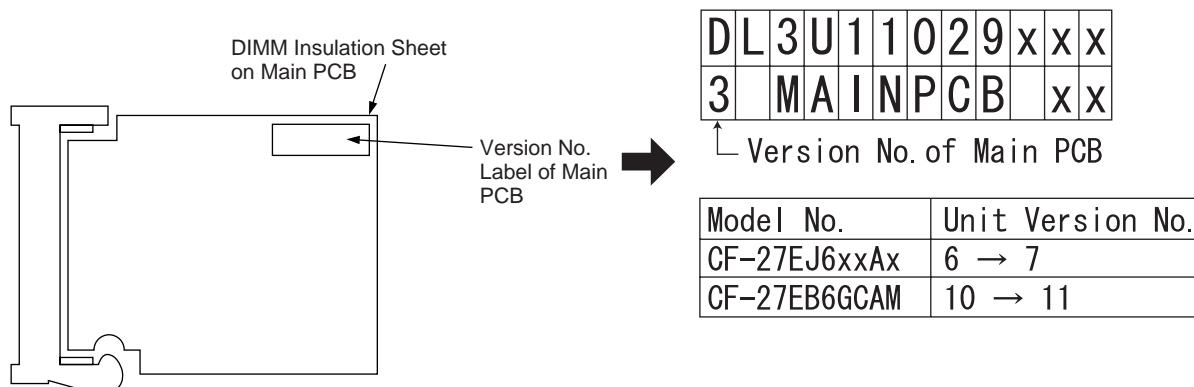
| REF. NO. and AREA | PART NO. | | DESCRIPTION | Q'TY |
|-------------------------|------------|-------------------|-------------------|------|
| | ORIGINAL | NEW | | |
| Mechanical Parts | | | | |
| K88 | DFMD1130ZA | DFMD1130ZB | BELT HOOK (RIGHT) | 1 |
| K89 | DFMD1131ZA | DFMD1131ZB | BELT HOOK (LEFT) | 1 |

Parts Comparison Table

(CF-27EB6GCAX, CF-27EB6K1AE, CF-27EJ6xxAx)

| REF. NO. and AREA | PART NO. | | DESCRIPTION | Q'TY |
|-------------------|--------------|---------------------|---------------------|------|
| | ORIGINAL | NEW | | |
| Main PCB | | | | |
| R589 | ————— | ERJ3GEY0R00V | RESISTOR, 1/16W, 0Ω | 0→1 |
| R640 | ERJ3GEY0R00V | ————— | RESISTOR, 1/16W, 0Ω | 1→0 |

Note: With change of R589 and R640, the Version No. of Main PCB is changed from 2 to 3, and Unit Version No is changed as shown below.



Parts Comparison Table

(CF-27FCCGGAx)

| REF. NO. and AREA | PART NO. | | DESCRIPTION | Q'TY |
|------------------------------------------|----------|--------------------|----------------------|------|
| | ORIGINAL | NEW | | |
| Internal Modem PCB (CF-27FCCGGxx) | | | | |
| C25 | ————— | DCS1AN336CE | CAPACITOR, 10V, 33μF | 1 |

Parts Comparison Table

(CF-27EB6GDAM, CF-27EB6GQCM, CF-27EJ6K3AE, CF-27FCCxxAx)

| REF. NO. and AREA | PART NO. | | DESCRIPTION | Q'TY |
|-------------------------|------------|-------------------|-------------|------|
| | ORIGINAL | NEW | | |
| Mechanical Parts | | | | |
| K117 | DFQT9704YA | DFQT9710ZA | MODEM LEVEL | 1 |

Parts Comparison Table

(CF-27EB6GDAM, CF-27EJ6K3AE)

| REF. NO. and AREA | PART NO. | | DESCRIPTION | Q'TY |
|------------------------|-----------|------------------|---------------|------|
| | ORIGINAL | NEW | | |
| Main Block Unit | | | | |
| E7 | ECXF6314D | ECXF6314G | PCB, INVERTER | 1 |

Parts Comparison Table

(CF-27RJ482EE)

| REF. NO. and AREA | PART NO. | | DESCRIPTION | Q'TY |
|-------------------------|------------|-------------------|----------------|------|
| | ORIGINAL | NEW | | |
| Mechanical Parts | | | | |
| K83 | DFHR7522XA | DFHR7522WA | DAMPER, HDD(B) | 1 |

Parts Comparison Table

(CF-27Rx48xAx, CF-27Ex6xxxx, CF-27FCCxxAx)

| REF. NO. and AREA | PART NO. | | DESCRIPTION | Q'TY |
|------------------------|------------|-------------------|----------------|------|
| | ORIGINAL | NEW | | |
| Main Block Unit | | | | |
| E14-6 | DFHR7522XA | DFHR7522WA | DAMPER, HDD(B) | 1 |


Parts Comparison Table

(CF-27 All Series)

| REF. NO. and AREA | PART NO. | | DESCRIPTION | Q'TY |
|-------------------------|-----------|-------------------|-------------|------|
| | ORIGINAL | NEW | | |
| Mechanical Parts | | | | |
| K1-5 | XTB2+4GFZ | XQN2+CG4FZ | SCREW | 4 |

Parts Comparison Table

(CF-27FCCxxAx)

| REF. NO. and AREA | PART NO. | | DESCRIPTION | Q'TY |
|-------------------------|-------------------------------------------------------------------------------------------------|---------------------|------------------|------|
| | ORIGINAL | NEW | | |
| Accessories | | | | |
| A4 |  CF-AA1639M7 | CF-AA1639AM1 | AC ADAPTER | 1 |
| Mechanical Parts | | | | |
| K4 | DFKM0335ZA-0 | DFKM0335YA-0 | LCD REAR CABINET | 1 |

Parts Comparison Table

(CF-27EB6GQCM)

| REF. NO. and AREA | PART NO. | | DESCRIPTION | Q'TY |
|-------------------------|------------|-------------------|-----------------|-------|
| | ORIGINAL | NEW | | |
| Main Block Unit | | | | |
| E7 | ECXF6314D | ECXF6314G | PCB, INVERTER | 1 |
| Mechanical Parts | | | | |
| K13 | DFHG1133ZA | DFHG1165ZA | RUBBER, LCD (C) | 1 |
| K29 | ————— | DFHR7800ZA | PACKING A, HDD | 0→1 |
| K31 | ————— | DFHR7801ZA | PACKING B, HDD | 0→1 |
| K35 | ————— | DFHR7802ZA | PACKING A, BATT | 0→1 |
| K42 | ————— | DFHR7803ZA | PACKING B, BATT | 0→1 |
| K45 | ————— | DFHE0378ZA | GASKET | 0→1 |
| K49 | ————— | DFHE0379ZA | EMI CLOTH | 0→1 |
| K143 | DFHG425ZA | DFHG425YA | DAMPER | 1 |
| K201 | DFHE5093ZA | | SCREW | 13→12 |
| K218 | ————— | DFHE5086ZA | SCREW | 0→1 |

Parts Comparison Table

(CF-27EB6GDAM, CF-27EB6GQCM, CF-27FCCxxAx)

| REF. NO. and AREA | PART NO. | | DESCRIPTION | Q'TY |
|-------------------------|--------------|---------------------|-------------------|------|
| | ORIGINAL | NEW | | |
| Mechanical Parts | | | | |
| K2-25 | DFGX0194ZA-0 | DFGX0194YA-0 | COVER, DC-IN JACK | 1 |

Parts Comparison Table

(CF-27Rx48xxx, CF-27Ex6GCAx, CF-27Ex6K1AE, CF-27EJ6K2AE)

| REF. NO. and AREA | PART NO. | | DESCRIPTION | Q'TY |
|-------------------------|--------------|---------------------|-------------------|------|
| | ORIGINAL | NEW | | |
| Mechanical Parts | | | | |
| K44 | DFGX0194ZA-0 | DFGX0194YA-0 | COVER, DC-IN JACK | 1 |

Parts Comparison Table

(CF-27EB6GDAM, CF-27EB6GQCM, CF-27EJ6KR3E)

| REF. NO. and AREA | PART NO. | | DESCRIPTION | Q'TY |
|-------------------------|----------|-------------------|-------------------------|------|
| | ORIGINAL | NEW | | |
| Mechanical Parts | | | | |
| K28 | ————— | DFHR7813ZA | SHEET, CABLE PROTECTION | 0→1 |

Parts Comparison Table

(CF-27EJ6K3AE)

| REF. NO. and AREA | PART NO. | | DESCRIPTION | Q'TY |
|-------------------------|-------------------|-----|--------------------------------|------|
| | ORIGINAL | NEW | | |
| Mechanical Parts | | | | |
| K93 | DFMX0772ZA | | MODEM PCB INSULATION SHEET (A) | 2→3 |

Parts Comparison Table

(CF-27Ex6GCAx, CF-27Ex6K1AE, CF-27EJ6K2AE)

| REF. NO. and AREA | PART NO. | | DESCRIPTION | Q'TY |
|-------------------|--------------|---------------------|--------------------|------|
| | ORIGINAL | NEW | | |
| Main PCB | | | | |
| IC6 | DA2200CDHX2Z | C1DB00000323 | IC, VGA CONTROLLER | 1 |

Note: With change of IC6, the Version No. of Main PCB is changed as shown below.

Version No. Label on the Main PCB

| | | | | | | | | | | | |
|---|---|---|---|---|---|---|---|---|---|---|---|
| D | L | 3 | U | 1 | 1 | 0 | 2 | 9 | X | X | X |
| X | | M | A | I | N | P | C | B | | X | X |

↑ Version No. of Main PCB

| Model No. | Version No. of Main PCB |
|--------------|-------------------------|
| CF-27EA6GCAx | 2 → 3 |
| CF-27EJ6GCAx | 3 → 4 |
| CF-27EB6GCAx | |
| CF-27Ex6K1AE | |
| CF-27EJ6K2AE | |

Parts Comparison Table

(CF-27EB6GDAM, CF-27EJ6K3AE, CF-27EB6GQCM)

| REF. NO. and AREA | PART NO. | | DESCRIPTION | Q'TY |
|-------------------|--------------|---------------------|--------------------|------|
| | ORIGINAL | NEW | | |
| Main PCB | | | | |
| IC6 | DA2200CEMX2Z | C1DB00000323 | IC, VGA CONTROLLER | 1 |

Note: With change of IC6, the Version No. of Main PCB is changed from 2 to 3 as shown below.

| | | | | | | | | | | | |
|---|---|---|---|---|---|---|---|---|---|---|---|
| D | L | 3 | U | 1 | 1 | 0 | 7 | 2 | X | X | X |
| 3 | | M | A | I | N | P | C | B | | X | X |

↑ Version No. of Main PCB

Parts Comparison Table

(CF-27EB6GDAM, CF-27EJ6K3AE, CF-27EB6GQCM, CF-27FCCxxAx)

| REF. NO. and AREA | PART NO. | | DESCRIPTION | Q'TY |
|-------------------|--------------|---------------------|---------------|------|
| | ORIGINAL | NEW | | |
| Main PCB | | | | |
| IC4 | XC62FP3302PR | C0CBABE00013 | IC, REGULATOR | 1 |

Note: With change of IC4, the Version No. of Main PCB is changed as shown below.

| | | | | | | | | | | | |
|---|---|---|---|---|---|---|---|---|---|---|---|
| D | L | 3 | U | 1 | 1 | 0 | 7 | 2 | X | X | X |
| X | | M | A | I | N | P | C | B | | X | X |

↑ Version No. of Main PCB

| Model No. | Version No. of Main PCB |
|--------------|-------------------------|
| CF-27EB6GDAM | 3 → 4 |
| CF-27EJ6K3AE | 3 → 3 |
| CF-27EB6GQCM | |
| CF-27FCCxxAx | 2 → 3 |

Parts Comparison Table

(CF-27Ex6GCAx, CF-27Ex6K1AE, CF-27EJ6K2AE)

| REF. NO. and AREA | PART NO. | | DESCRIPTION | Q'TY |
|-------------------|--------------|---------------------|---------------|------|
| | ORIGINAL | NEW | | |
| Main PCB | | | | |
| IC4 | XC62FP3302PR | C0CBABE00013 | IC, REGULATOR | 1 |

Note: With change of IC4, the Version No. of Main PCB is changed as shown below.

| | | | | | | | | | | | |
|---|---|---|---|---|---|---|---|---|---|---|---|
| D | L | 3 | U | 1 | 1 | 0 | 2 | 9 | x | x | x |
| x | | | | | | | | | | | |

↑ Version No. of Main PCB

| Model No. | Version No. of Main PCB |
|--------------|-------------------------|
| CF-27EA6GCAx | 3 → 4 |
| CF-27EJ6GCAx | 4 → 5 |
| CF-27EB6GCAx | |
| CF-27Ex6K1AE | |
| CF-27EJ6K2AE | |

Parts Comparison Table

(CF-27Ex6GCAx, CF-27Ex6K1AE, CF-27EJ6K2AE, CF-27EB6GDAM, CF-27EB6GQCM)

| REF. NO. and AREA | PART NO. | | DESCRIPTION | Q'TY |
|-------------------|--------------|--------------------|--------------|------|
| | ORIGINAL | NEW | | |
| Main PCB | | | | |
| R166 167 168 | ERJ3GEY0R00V | DDB5Z034A-Y | FERRITE BEAD | 3 |

Parts Comparison Table

(CF-27EB6GDAM, CF-27EB6GQCM)

| REF. NO. and AREA | PART NO. | | DESCRIPTION | Q'TY |
|--------------------|------------|-------------------|-------------|------|
| | ORIGINAL | NEW | | |
| Accessories | | | | |
| A3 | DFKH1009ZA | DFKH1009YA | HANDLE BELT | 1 |


Parts Comparison Table

(CF-27FCCGGAx)

| REF. NO. and AREA | PART NO. | | DESCRIPTION | Q'TY |
|------------------------------------------|--------------|---------------------|-------------------------|------|
| | ORIGINAL | NEW | | |
| Internal Modem PCB (CF-27FCCGGxx) | | | | |
| R15 | ERJ3EKF3242V | ERJ3EKF2552V | RESISTOR, 1/16W, 2.55KΩ | 1 |

Parts Comparison Table

(CF-27EB6GDAM)

| REF. NO. and AREA | PART NO. | | DESCRIPTION | Q'TY |
|--------------------|------------------------------------------------------------------------------------------------|-------------------|------------------------------|------|
| | ORIGINAL | NEW | | |
| Accessories | | | | |
| A1 |  DFQX2675ZA | DFQX2810ZB | OPERATING INSTRUCTION MANUAL | 1 |

Parts Comparison Table

(CF-27FCCxxAx)

| REF. NO. and AREA | PART NO. | | DESCRIPTION | Q'TY |
|-------------------------|--------------|--------------------|-------------|------|
| | ORIGINAL | NEW | | |
| Main Block Unit | | | | |
| E18 | DFADLP13X7A2 | L5BDDQ00001 | UNIT, LCD | 1 |
| Mechanical Parts | | | | |
| K23 | DFMX0383ZA | | SHEET | 1→2 |

Parts Comparison Table

(CF-27Ex6GCAx, CF-27Ex6K1AE, CF-27EJ6K2AE)

| REF. NO. and AREA | PART NO. | | DESCRIPTION | Q'TY |
|-------------------------|------------|-------------------|-----------------|------|
| | ORIGINAL | NEW | | |
| Mechanical Parts | | | | |
| K69 | DFMY9008YA | DFMY9008XA | UNIT, HEAT PIPE | 1 |

Parts Comparison Table

(CF-27EJ6K3AE, CF-27EB6GQCM)

| REF. NO. and AREA | PART NO. | | DESCRIPTION | Q'TY |
|-------------------------|-----------|------------------|---------------|------|
| | ORIGINAL | NEW | | |
| Mechanical Parts | | | | |
| K143 | DFHG425YA | DFHG425XA | RUBBER SPACER | 1 |

Parts Comparison Table

(CF-27EB6GDAM(M), CF-27EB6GQCM, CF-27EJ6K3AE, CF-27CCxxAx)

| REF. NO. and AREA | PART NO. | | DESCRIPTION | Q'TY |
|-------------------------|------------|-------------------|-----------------|------|
| | ORIGINAL | NEW | | |
| Mechanical Parts | | | | |
| K2-33 | DFMY9008YA | DFMY9008XA | UNIT, HEAT PIPE | 1 |
| Main Block Unit | | | | |
| E30 | DFWP0125YA | DFWP0125XB | MODEM | 1 |

Parts Comparison Table

(CF-27EJ6K3AE)

| REF. NO. and AREA | PART NO. | | DESCRIPTION | Q'TY |
|-------------------------|------------|-------------------|---------------------------------|------|
| | ORIGINAL | NEW | | |
| Mechanical Parts | | | | |
| K124 | ————— | DFHR5797YA | SHEET, CABLE PROTECTION | 0→1 |
| K131 | ————— | DFHE0394ZA | GASKET | 0→1 |
| K174 | DFHR1059YA | | SHEET | 2→1 |
| K206 | DFHE5104ZA | | SCREW | 5→6 |
| K222 | DFHE5025YA | | SCREW | 10→9 |
| K136 | ————— | DFHG795ZA | SHEET, ANTENNA CABLE PROTECTION | 0→1 |

Note: Addition of K131(DFHE0394ZA) and K136(DFHG795ZA) should be performed at the same time.


Parts Comparison Table

(CF-27EB6GDAM, CF-27FCCxxAx)

| REF. NO. and AREA | PART NO. | | DESCRIPTION | Q'TY |
|-------------------------|----------|------------|-------------|------|
| | ORIGINAL | NEW | | |
| Mechanical Parts | | | | |
| K206 | | DFHE5104ZA | SCREW | 3→4 |
| K222 | | DFHE5025YA | SCREW | 10→9 |

Parts Comparison Table

(CF-27EB6GQCM)

| REF. NO. and AREA | PART NO. | | DESCRIPTION | Q'TY | |
|-------------------------|-----------------------------------------------------------------------------------|------------|-------------------|--------------|---|
| | ORIGINAL | NEW | | | |
| Mechanical Parts | | | | | |
| K55 |  | DFGT0789ZA | DFGT0789YA | RATING LABEL | 1 |
| K206 | | DFHE5104ZA | SCREW | 4→5 | |
| K222 | | DFHE5025YA | SCREW | 10→9 | |


Parts Comparison Table

(CF-27Rx48xxx, CF-27Ex6GCAx, CF-27EJ6K2AE, CF-27Ex6K1AE)

| REF. NO. and AREA | PART NO. | | DESCRIPTION | Q'TY | |
|------------------------|----------|--------------|---------------------|---------|---|
| | ORIGINAL | NEW | | | |
| Main Block Unit | | | | | |
| K10 | | DFAS20P02ZAN | L0AA02A00018 | SPEAKER | 1 |


Parts Comparison Table

(CF-27EB6GDAM, CF-27CCKFAM)

| REF. NO. and AREA | PART NO. | | DESCRIPTION | Q'TY | |
|-------------------------|-------------------------------------------------------------------------------------|------------|-------------------|--------------|---|
| | ORIGINAL | NEW | | | |
| Mechanical Parts | | | | | |
| K55(M) |  | DFGT0777ZA | DFGT0777YA | RATING LABEL | 1 |


Parts Comparison Table

(CF-27Rx48xAM, CF-27Ex6GCAM)

| REF. NO. and AREA | PART NO. | | DESCRIPTION | Q'TY | |
|-------------------------|-------------------------------------------------------------------------------------|------------|-------------------|--------------|---|
| | ORIGINAL | NEW | | | |
| Mechanical Parts | | | | | |
| K55(M) |  | DFGT0657YA | DFGT0657XA | RATING LABEL | 1 |

Parts Comparison Table

(CF-27Rx48xxx, CF-27Ex6GCAx, CF-27EB6GDAM, CF-27Ex6KxAE)

| REF. NO. and AREA | PART NO. | | DESCRIPTION | Q'TY | |
|--------------------|-------------------------------------------------------------------------------------|-------|---------------------|------------|-----|
| | ORIGINAL | NEW | | | |
| Accessories | | | | | |
| A5 |  | ————— | CF-AA1639AM1 | AC ADAPTER | 0→1 |

Parts Comparison Table

(CF-27EB6GDAM, CF-27Ex6GCAX, CF-27Ex6K1AE, CF-27EJ6K2AE)

| REF. NO. and AREA | PART NO. | | DESCRIPTION | Q'TY | |
|------------------------|----------|-------------|---------------------|------|---|
| | ORIGINAL | NEW | | | |
| Main Block Unit | | | | | |
| E13 | | DFJH090ZA-T | N3CABLC00001 | HDD | 1 |

Parts Comparison Table

(CF-27Ex6GCAM, CF-27EB6GDAM, CF-27FCCKFAM)

| REF. NO. and AREA | PART NO. | | DESCRIPTION | Q'TY | |
|------------------------|----------|--------------|---------------------|-----------|---|
| | ORIGINAL | NEW | | | |
| Main Block Unit | | | | | |
| E19 | | DFSX1A87YATR | DFSX1A87WATR | KEY BOARD | 1 |

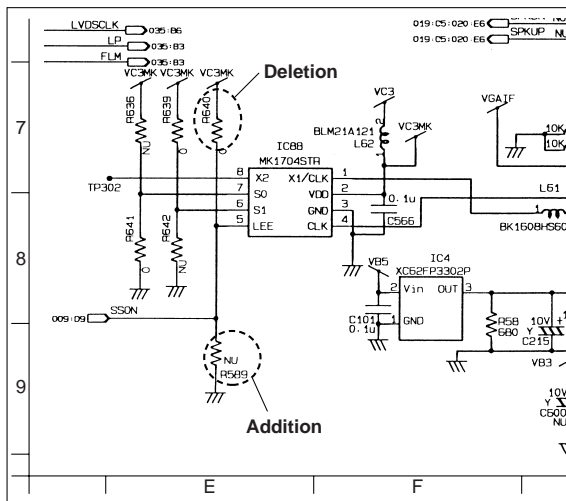
Note: With change of the keyboard, the Unit Version No. is changed as shown below.

| Model No. | Unit Version No. |
|--------------|------------------|
| CF-27EB6GQCM | 2→3 |
| CF-27EA6GCAM | 10→A0 |
| CF-27EB6GCAM | 11→A0 |
| CF-27EB6GDAM | 1→2 |
| CF-27FCCKFAM | 0→1 |

2. Schematic Diagrams

2.13. Main VGA

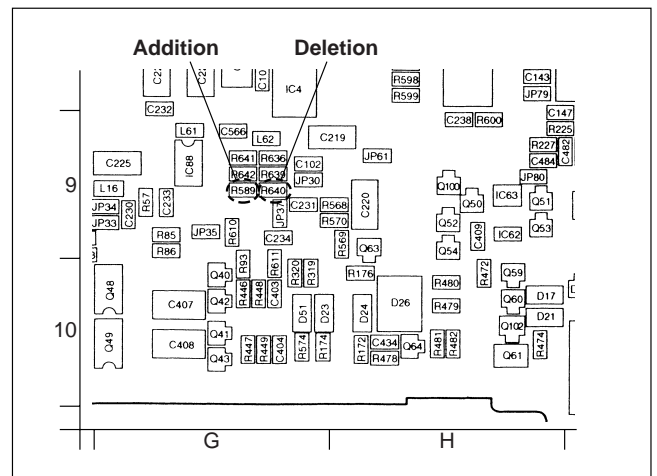
(CF-27EB6xxxx, CF-27EJ6xxxx Only)



3. Printed Circuit Board

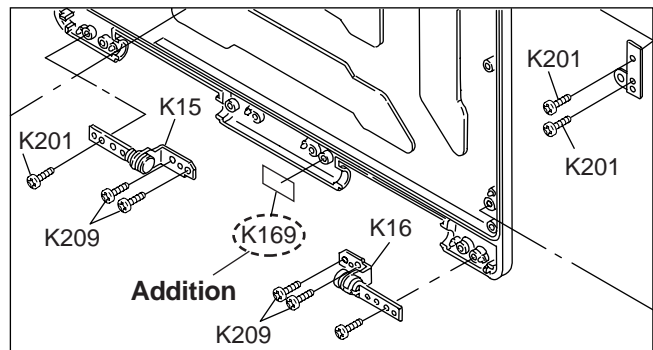
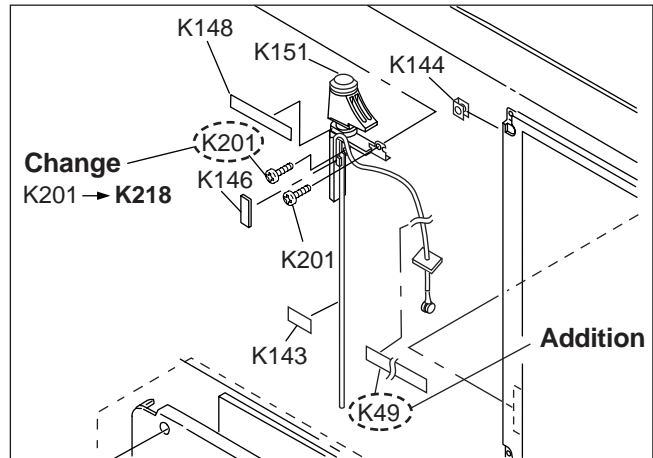
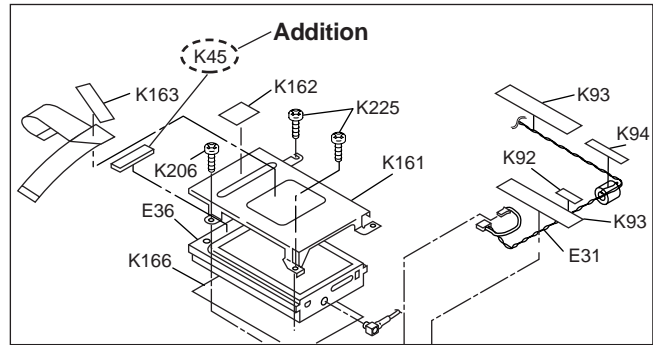
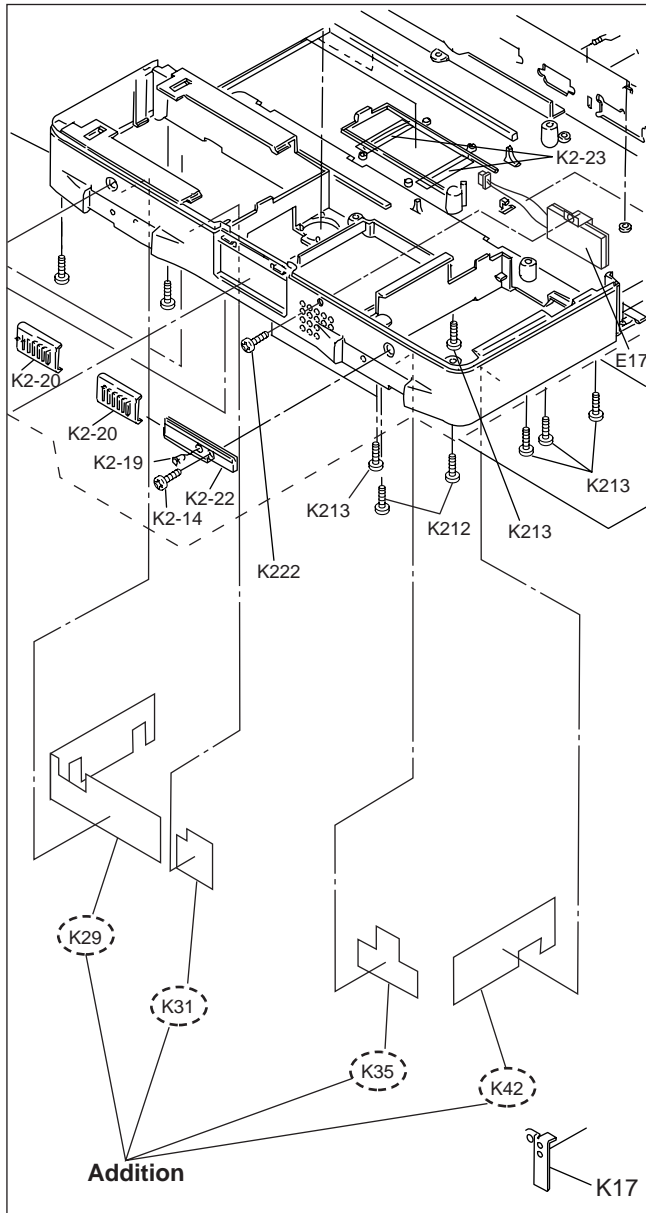
3.1. Main PCB <Top View>

(CF-27EB6xxxx, CF-27EJ6xxxx Only)

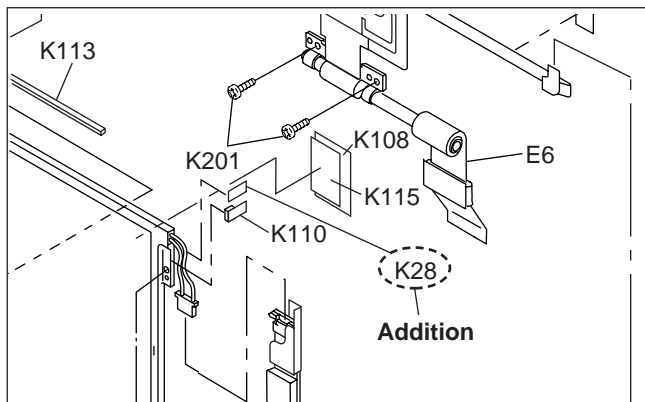


Exploded View

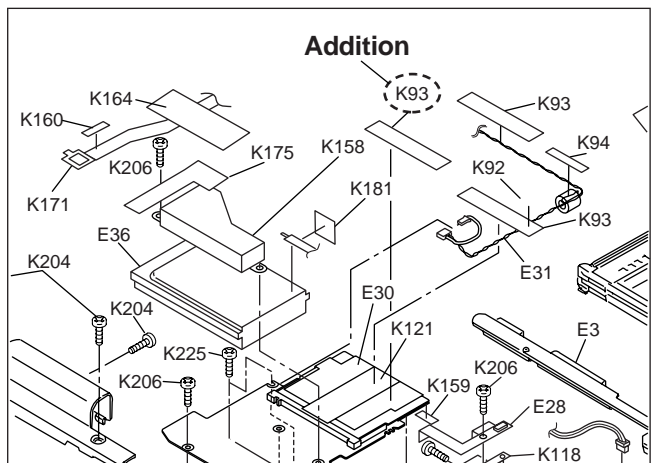
(CF-27EB6GQCM only)



(CF-27EB6GDAM, CF-27EB6GQCM, CF-27EJ6K3AE only)

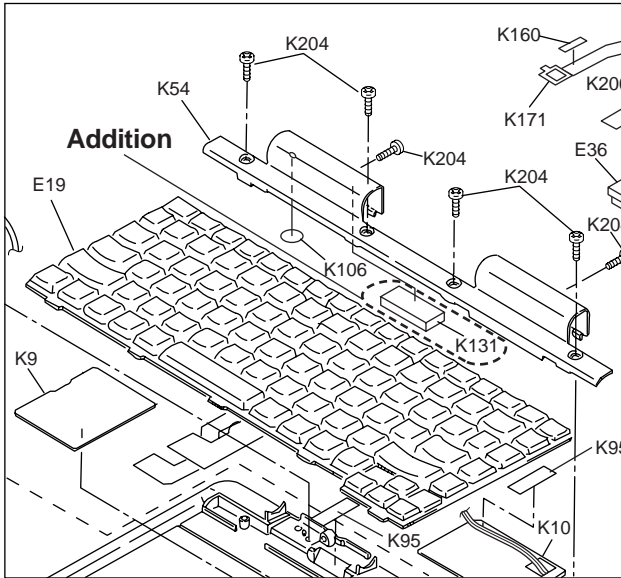


(CF-27EJ6K3AE only)

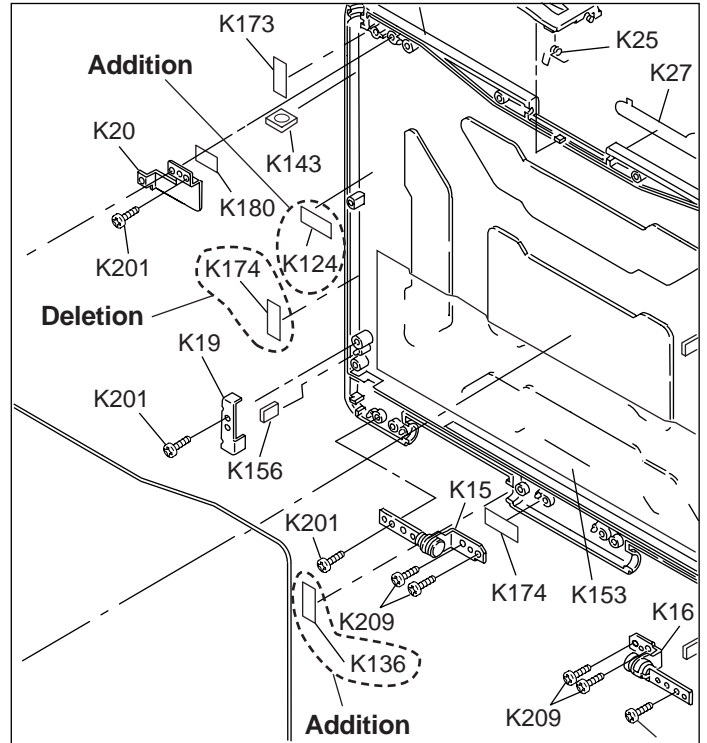


Exploded View

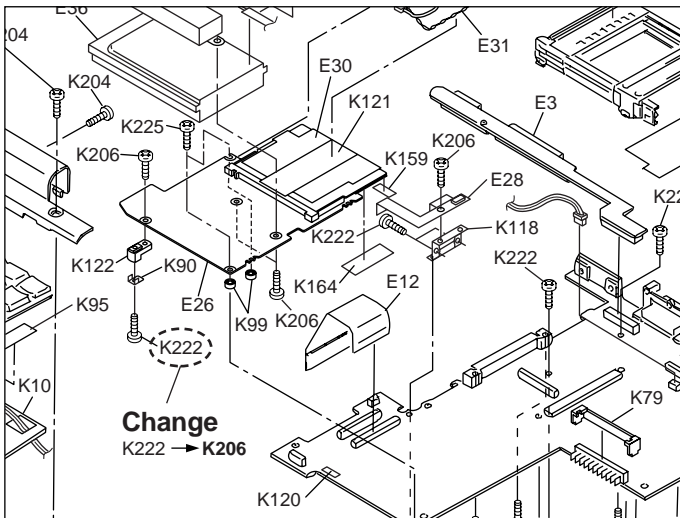
(CF-27EJ6K3AE)



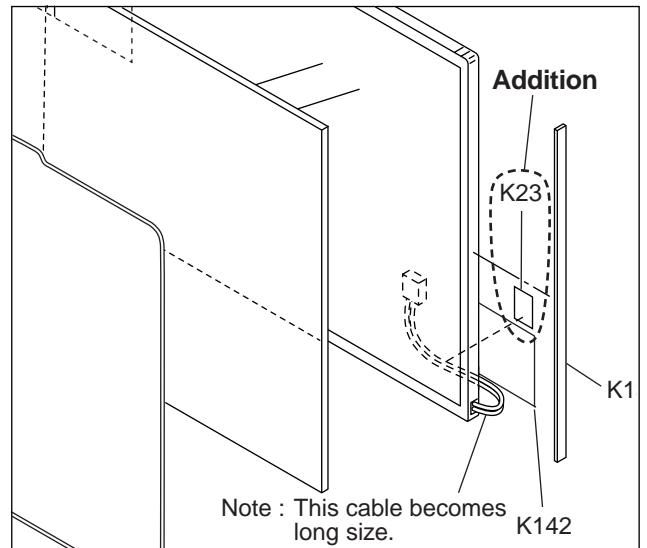
(CF-27EJ6K3AE)



(CF-27EB6GDAM)
 (CF-27EB6GQCM)
 (CF-27EJ6K3AE)
 (CF-27FCCxxAx)



(CF-27FCCxxAx)



CORRECTION

Parts Comparison Table

(CF-27Rx48xxx)

| REF. NO. and AREA | PART NO. | | DESCRIPTION | Q'TY |
|------------------------|--------------|---------------------|--------------------------|------|
| | INCORRECT | CORRECT | | |
| Main Block Unit | | | | |
| E3 | DL3U40956AAA | DL3U50956AAA | PCB, PARALLEL SERIAL RTL | 1 |
| E4 | DL3U50956AAA | DL3U40956AAA | PCB, LED RTL | 1 |

Parts Comparison Table

(CF-27Ex6GCAx, CF-27Ex6K1AE, CF-27EJ6K2AE)

| REF. NO. and AREA | PART NO. | | DESCRIPTION | Q'TY |
|------------------------|--------------|---------------------|--------------------------|------|
| | INCORRECT | CORRECT | | |
| Main Block Unit | | | | |
| E3 | DL3U41029AAA | DL3U51029AAA | PCB, PARALLEL SERIAL RTL | 1 |
| E4 | DL3U51029AAA | DL3U41029AAA | PCB, LED RTL | 1 |

Parts Comparison Table

(CF-27EB6GDAM, CF-27FCCxxAx, CF-27EJ6K3AE, CF-27EB6GQCM)

| REF. NO. and AREA | PART NO. | | DESCRIPTION | Q'TY |
|------------------------|--------------|---------------------|--------------------------|------|
| | INCORRECT | CORRECT | | |
| Main Block Unit | | | | |
| E3 | DL3U41072AAA | DL3U51072AAA | PCB, PARALLEL SERIAL RTL | 1 |
| E4 | DL3U51072AAA | DL3U41072AAA | PCB, LED RTL | 1 |